

GDS 10+

SINGLE POINT GAS SENSOR

- Flammable, Oxygen or Toxic Gases
- Compact size
- Single stage alarm
- Alarm relays
- Alarm Sounder / LED
- Digital display
- Wall or panel mount
- 4~20mA analogue output
- IP65



A fixed gas sensor that meets the requirements for economic and reliable monitoring of gas levels in a wide range of environments and applications. Initially designed for the monitoring of gases within cabins, enclosures and cabinets the addition of an optional mains supply input expanded its use into conventional areas of gas detection covering boiler plant rooms, gas meter houses, battery charger rooms and many other commercial and light industrial applications.

Power Supply

12 to 30 vDC – 24v nominal – 160mA
230/115v AC optional

Sensor Type

Catalytic, Electrochemical, Infra Red, Semiconductor,
Thermal conductivity

Measuring Range

Combustible gas – LEL, % vol, ppm
Toxic gas – ppm, % vol
Oxygen – % vol

Output

4~20mA Analogue option 1~5 volts

Connections

3 wire – sink/source
2 wire – loop powered - 4~20mA output only
(Oxygen/toxic gases only)

Relay contacts

S.P.C.O. per relay - auto reset
rated RL1 – 5A/250v AC, RL2 – 1A/24v DC

Alarm LED/Sounder

Auto reset

Ingress protection

IP65

Temperature

-15°C to 55°C

Humidity

0°C to 99% RH non condensing

Material

ABS flame retardant FR40
Finish signal white RAL 9003

Lid Screws

M4 SS

Field Terminals

Screw type 2.5mm

Entries

Rear 5-20mm knock-outs
Bottom 2-20mm knock-outs
Top, Sides - not specified

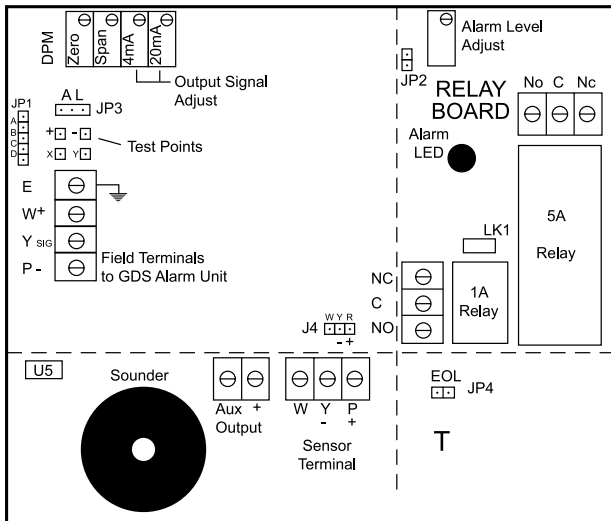
Dimensions

L145mm H 147mm D65mm 24vDC version
L145mm H 147mm D95mm AC version

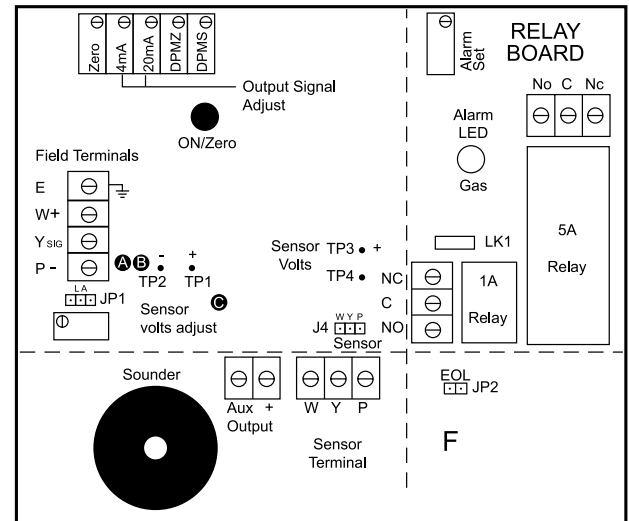
Data Sheets

Flammable C1116, Oxygen/Toxic C1117

Toxic/Oxygen PCB



Flammable PCB



Oxygen	0~25%
Carbon Monoxide	0~250ppm
Hydrogen Sulphide	0~50ppm
Sulphur Dioxide	0~10ppm
Nitrogen Dioxide	0~10ppm
Hydrogen	0~2000ppm
Chlorine	0~10ppm
Hydrogen Cyanide	0~25ppm
Nitrogen Monoxide	0~100ppm
Hydrogen Chloride	0~10ppm
Ammonia	0~100ppm
Ozone	0~2ppm
Ethylene Oxide	0~25ppm
Flammable	0~100LEL

