

30J(S/D)-F1

GAS SENSOR/TRANSMITTER

Safe Area Detector Head / Junction Box Assembly

Specification Sheet
ref C1272A

- FLEXIBLE OUTPUT OPTIONS
- ADDRESSABLE OR STAND ALONE
- HYPER TERMINAL COMMUNICATIONS RS232 LINE DATA AND SET UP WITH 232 ADAPTER
- DATA LOGGING
- OPTIONAL ALARM RELAYS
- ROBUST AND WEATHER-PROOF

30JS-F1 + Sensor
Universal Fitting



The 30J enclosure has been designed to allow quick and easy access to its interior by adjustment of two allen screws, this factor is a major consideration when large system service and calibrations are being carried out.

The detector is robust and weather-proof with improved response times due to the four mounting spacers allowing increased air movement around the detector these spacers also improve the mounting of the unit particularly on circular pillars typically found in car parks. Standard 4~20mA signalling with CANbus address enables the sensors to be networked via the GDS Combi control system or customer preferred monitoring system.

Power Supply

15 to 30vDC 24v nominal

Outputs

3 wire - 4~20mA
4 wire - CANbus
Relays (optional)
Low alarm S.P.C.O
High alarm S.P.C.O
Fault alarm S.P.C.O / overrange
Rating 0.5A @30vDC
Inhibit option during servicing

Logging

Addressable sensors only
Intervals - one minute to one hour
Storage - 2,880 readings

Temperature

-15°C to 55°C

Humidity

0°C to 99% RH - non condensing

DETECTOR HEAD

Type – F1 Hazardous area use

Data Sheet

Ref C105

Certification

ATEX / IECEX

Ingress Protection

IP63, + Universal fitting IP64

Material

Stainless Steel 316 S16

Weight

166gms

Dimensions

Length 32mm, Dia 33mm

Sensor Inserts - 4 series

Electrochemical

Infra-red

Semiconductor

Pellistor-catalytic

PID

Accessories - Optional

Collector Cone + Universal Fitting

Universal Fitting (test gas applicator/spray deflector)

Water Shield - stainless steel

Flow Block - nylatron

Flow Block - stainless steel

Duct Mount Kit

Detector Head Weather Shield

F1 Sensor Thermal Jacket

JUNCTION BOX

Type - 30J Safe area use only

Deep box (D) Shallow Box (S)

Ingress Protection

IP64

Material

ABS Flame retardent FR40

Lid Screws M4SS

Finish

Signal White RAL 9003

Dimensions

147 W x 145 H x 99 D mm

Weight

380gms

Entries

Rear: 5-20mm knock outs

Bottom: 2x drill targets

Top and Sides: Not specified

Mounting

Standoffs - M4 or No 8 screws

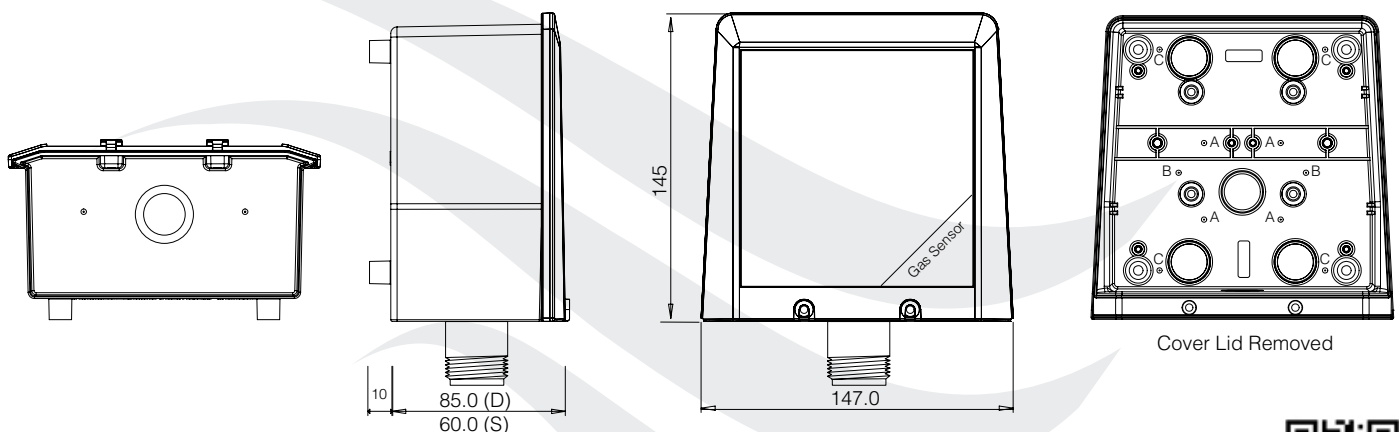
Drill at (C) when standoffs removed

Conduit box - drill at (A) 4.5mm

Surface mount box - drill at (B) 4.5mm

EU Design No.

01359723-0001



This document is not contractual and the equipment specification may be modified at any time without prior notice.

