

SENSOR ASPIRATOR UNIT

TYPE ASU-2

Specification Sheet
ref C1547-A



PUMP/FLOW MONITOR

Input 24v DC $\pm 20\%$ 200mA

Flow Rate 5 litres/min

Continuous Running

Pump Motor - 6 years expected

Diaphragm - 3 years in air

Flow Fail Monitor

Green LED – normal operation

Red LED – pipe blockage (FF)

Orange LED – pump fail (PF)

Sounder – not less than 85dB @ 30cm

Outputs

Relay S.P.C.O 1Amp @ 230vAC – PF/FF/PF+FF

Selectable 5/12vDC NE or DE

Factory set – open drain

Sample Line

6mm OD 4mm ID

Max Length - 50m

Material - nylon, polypropylene, PTFE

Couplings

In/Out - push fit - barbed

ENCLOSURE

Type - 30J Deep Safe area use only

Ingress Protection IP65

Material

ABS Flame Retardent FR40

Lid Screws M4SS

Finish Signal White RAL 9003

Weight 600gms

Entries

Rear 5-20mm knock outs

Bottom 2-20mm knock outs

Top, sides - not specified

Mounting

Standoffs - M4 or No 8 screws

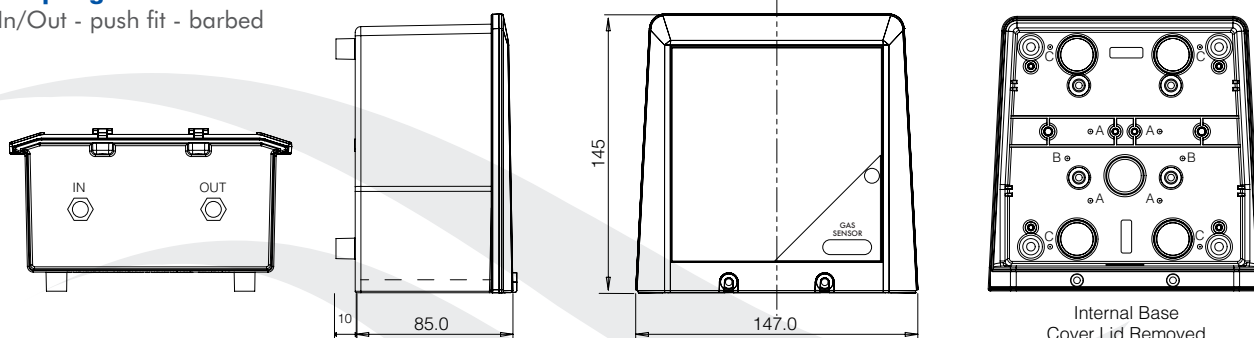
Drill at (C) when standoffs removed

Conduit Box - drill at (A) 4.5mm

Surface Mount Box - drill at (B) 4.5mm

EU Design No.

01359723-0001



Internal Base
Cover Lid Removed

Sensor/Transmitter

To accommodate on board sensor/transmitter and larger pumps a deep box is required - see ASU-2 ref C1547

Mounting/Position

The unit should be mounted at chest height with the sample line travelling to the target area at either high or low level. A filter (Part no. 008-212) should be attached to the pipe end where a high level of particulates may be present.

Field Terminals

Relay	24vDC	IN	OUT
NC	C	NO	+
		-	FF
			PF

Signal Out Jumper Selection

FF	FF	FF + PF	PF	PF
○ ○ ○	○ ○	○ ○ ○	○ ○	○ ○ ○
12v	5v	NE	CO	NE
				12v
				5v



C1539



This document is not contractual and the equipment specification may be modified at any time without prior notice.