

# 30J-PID

## GAS SENSOR

Safe Area Detector Head / Junction Box Assembly

Specification Sheet  
ref C1506-B

- FLEXIBLE OUTPUT OPTIONS
- ADDRESSABLE OR STAND ALONE
- HYPER TERMINAL COMMUNICATIONS RS232 LINE DATA AND SET UP WITH 232 ADAPTER
- DATA LOGGING
- OPTIONAL ALARM RELAYS
- OPTIONAL STATUS DISPLAY
- ROBUST AND WEATHER-PROOF



The 30J-PID (photoionization detector) is used to detect a broad range of volatile organic compounds in the low ranges of 0 to 50ppm and 0 to 1000ppm. The unit provides standard 4~20mA and CANbus digital outputs.

The 30J enclosure has been designed to allow quick and easy access to its interior by adjustment of two allen screws, this factor is a major consideration when large system service and calibrations are being carried out.

The detector is robust and weather-proof with improved response times due to the four mounting spacers allowing increased air movement around the detector these spacers also improve the mounting of the unit particularly on circular pillars typically found in car parks.

### Power Supply

15 to 30vDC 24v nominal

### Outputs

3 wire - analog 4~20mA

4 wire - CANbus

Relays (optional)

Low alarm S.P.C.O 0.5A @30vDC

High alarm S.P.C.O

Fault alarm S.P.C.O / overrange

Inhibit option during servicing

### Logging

Intervals - one minute to one hour

Storage - 2,880 readings

### Temperature

-15°C to 55°C

### Humidity

0°C to 99% RH - non condensing

## DETECTOR HEAD

Type – P1 Safe area use only

### Ingress Protection

IP64

### Material

ABS - Black

### Sensor Type

Photo ionisation - PID

### Target Gases

VOC's with ionisation potentials <10.6 eV  
See gas listing G645

### Range

Isobutylene 0-200ppm (0-1000ppm max)  
Isobutylene 5ppb to 50ppm options

### Overrange

Isobutylene 5000ppm

### Response Time T90

<12 seconds

### Operating Life

Expected 5 years (excluding replaceable lamp and electronic stack - \*6 months continuous operation)

### Replacement Parts

- 010-644 PID Bulb\*
- 010-645 PID Electrode Stack
- 010-646 PID Spring
- 010-647 PID Extraction Tool

## JUNCTION BOX

Type - 30J Safe area use only

### Ingress Protection

IP65

### Material

ABS Flame retardent FR40  
Lid Screws M4SS

### Finish

Signal White RAL 9003

### Weight

380gms

### Entries

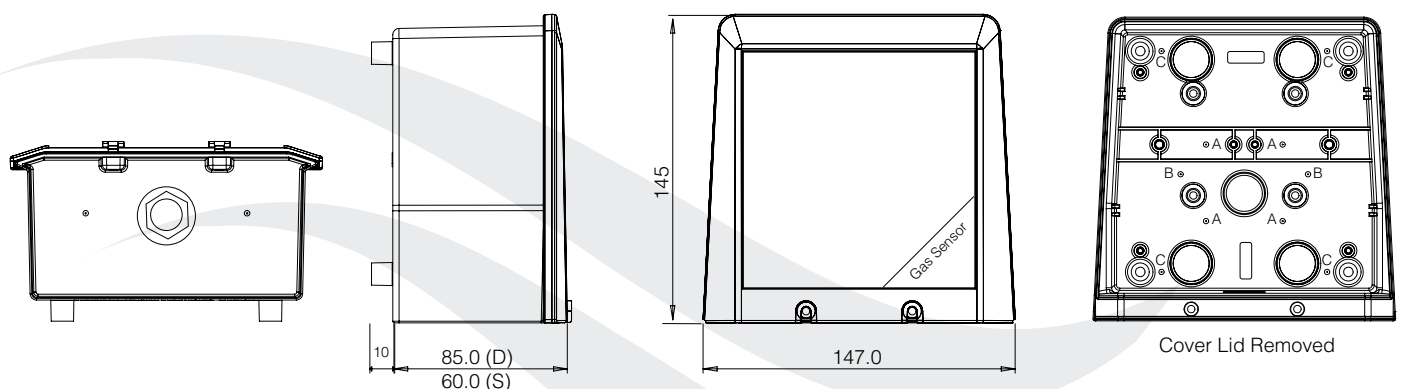
Rear 5-20mm knock outs  
Sides, Top, Bottom - not specified

### Mounting

Standoffs - M4 or No 8 screws  
Drill at (C) when standoffs removed  
Conduit box - drill at (A) 4.5mm  
Surface mount box - drill at (B) 4.5mm

### EU Design No.

01359723-0001



C1508

This document is not contractual and the equipment specification may be modified at any time without prior notice.

